

Photographic Record of
the refurbishment of 67 Great Russell Street, London WC1B 3BN
June - September 2013







DESMOND
THE ART
11-12 GREAT RUSSELL STREET
LONDON WC1B 3BN
TEL: 020 7493 4493
WWW.DESMOND.COM

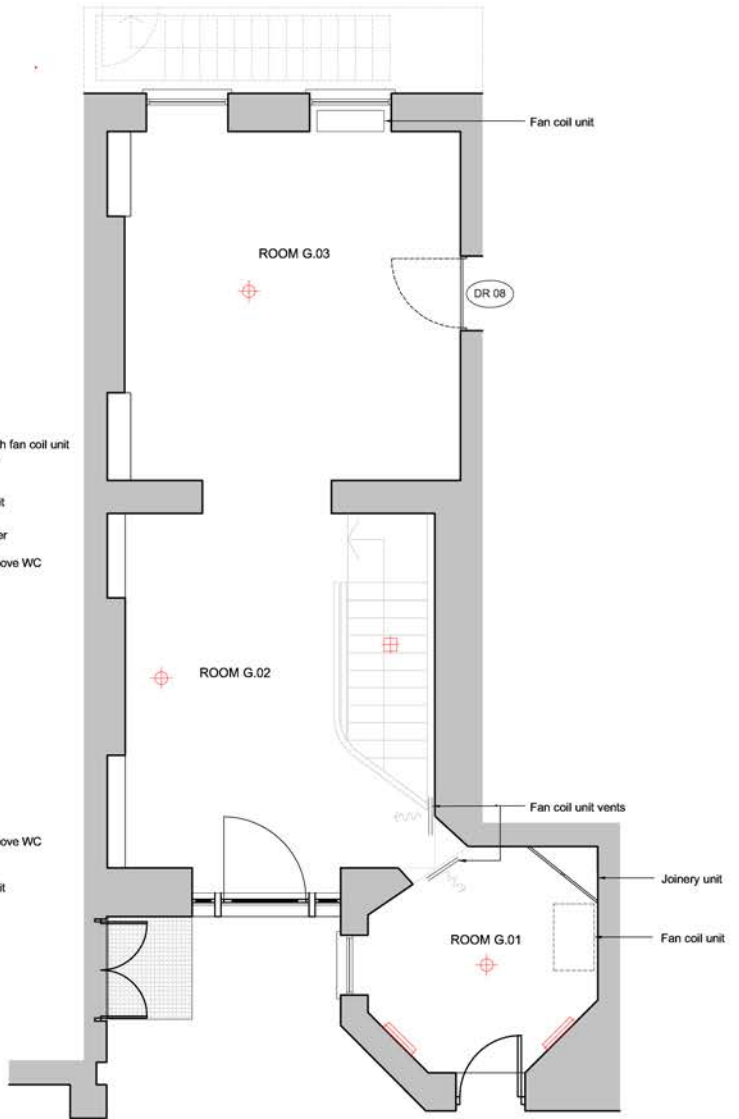
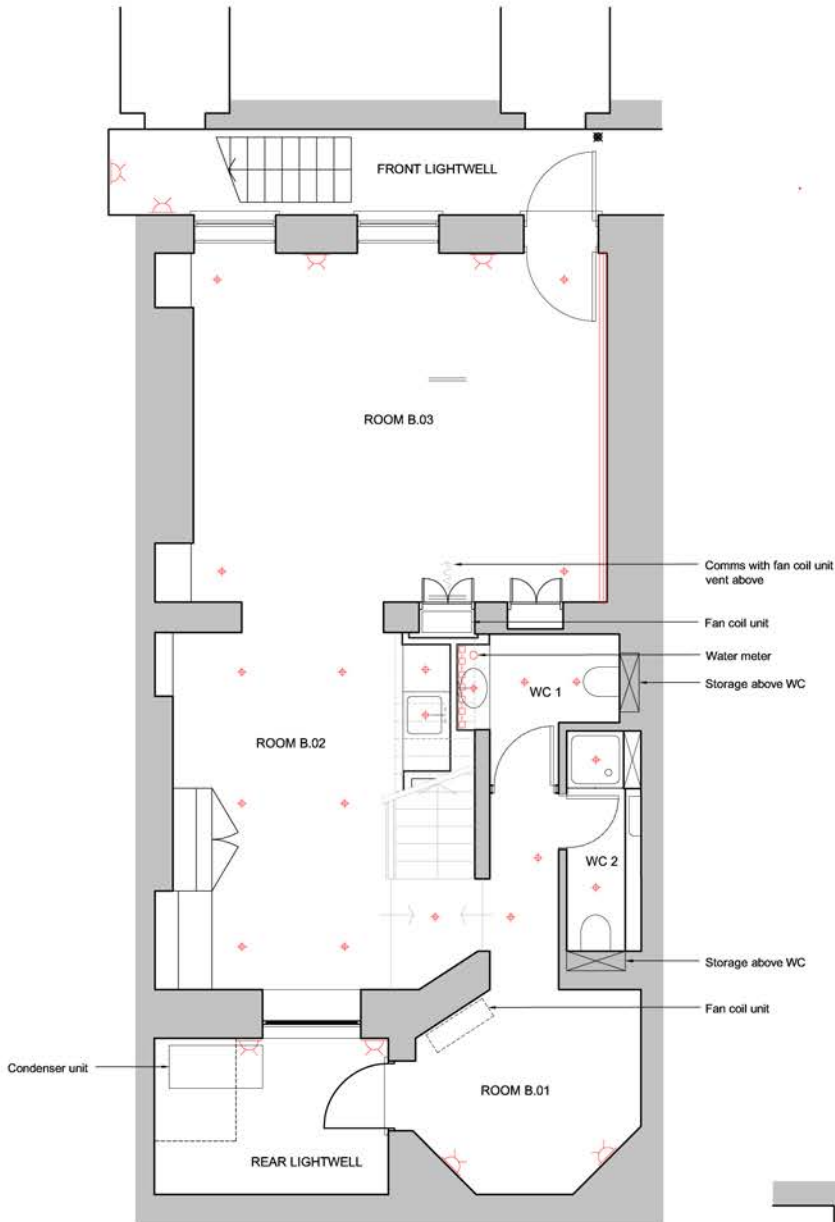
RODIC DAVIDSON ARCHITECTS





GREAT RUSSELL STREET

GREAT RUSSELL STREET

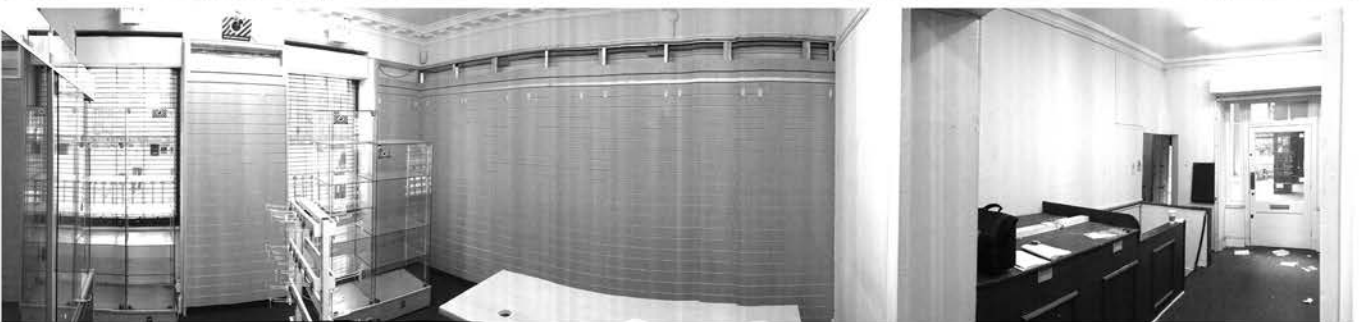


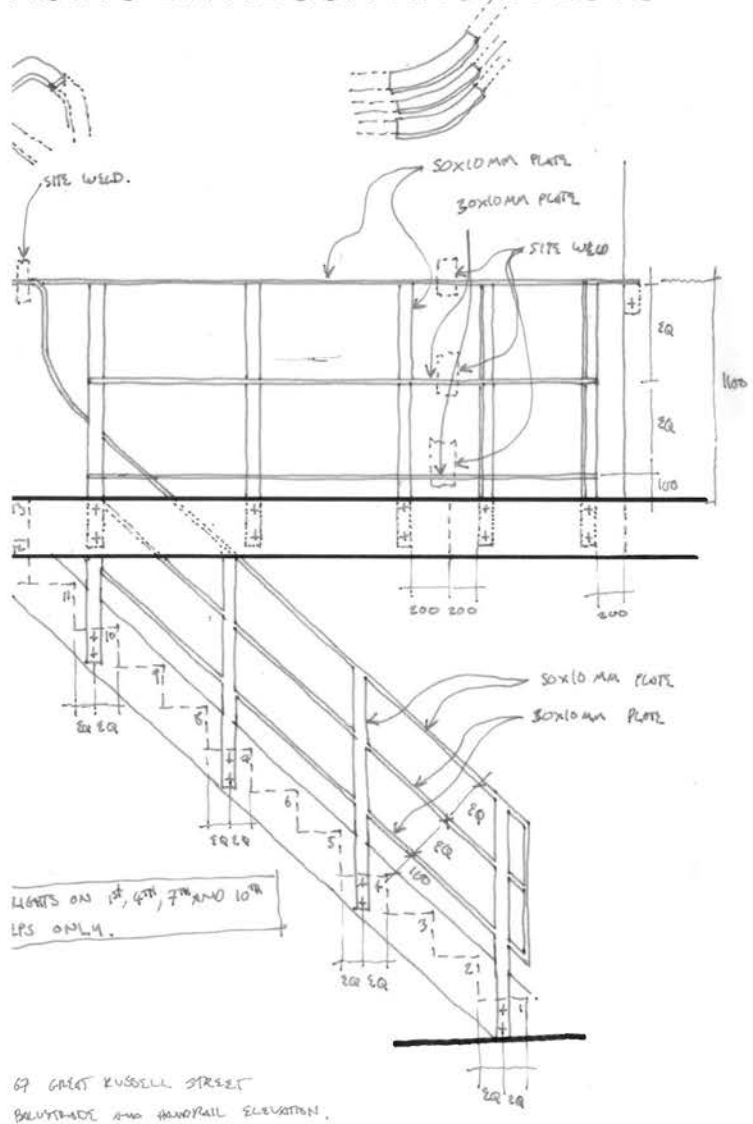
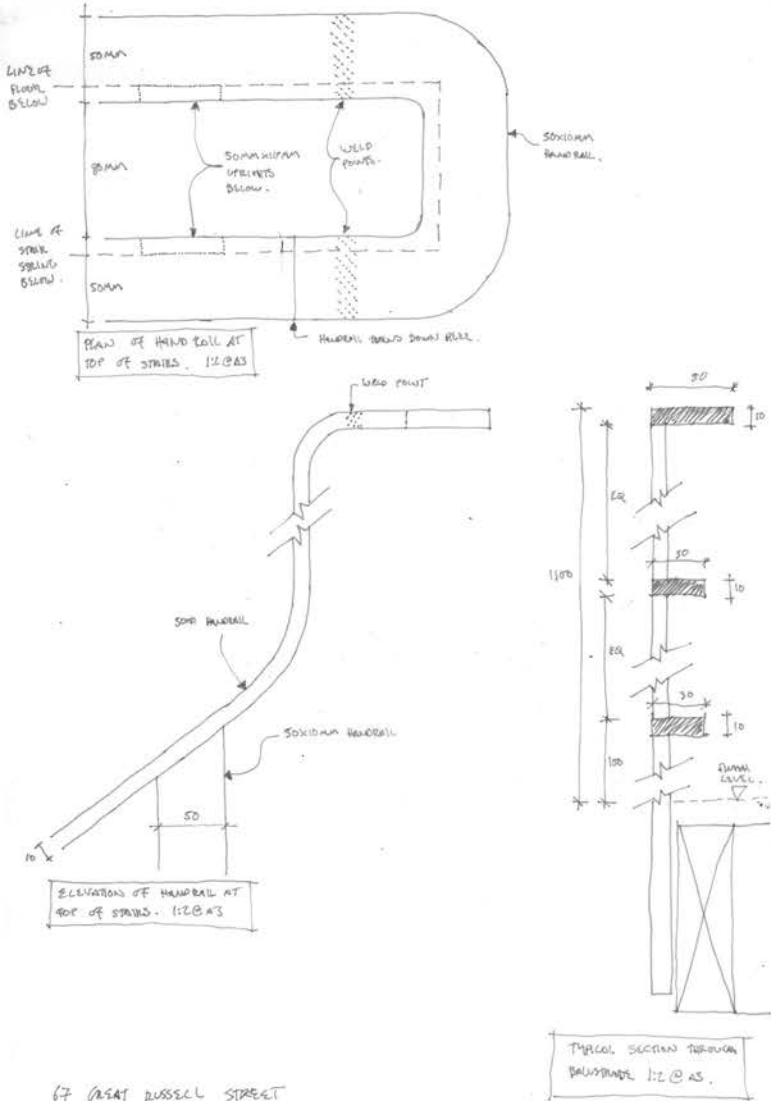
PIED BULL YARD

PIED BULL YARD

BASEMENT

GROUND FLOOR



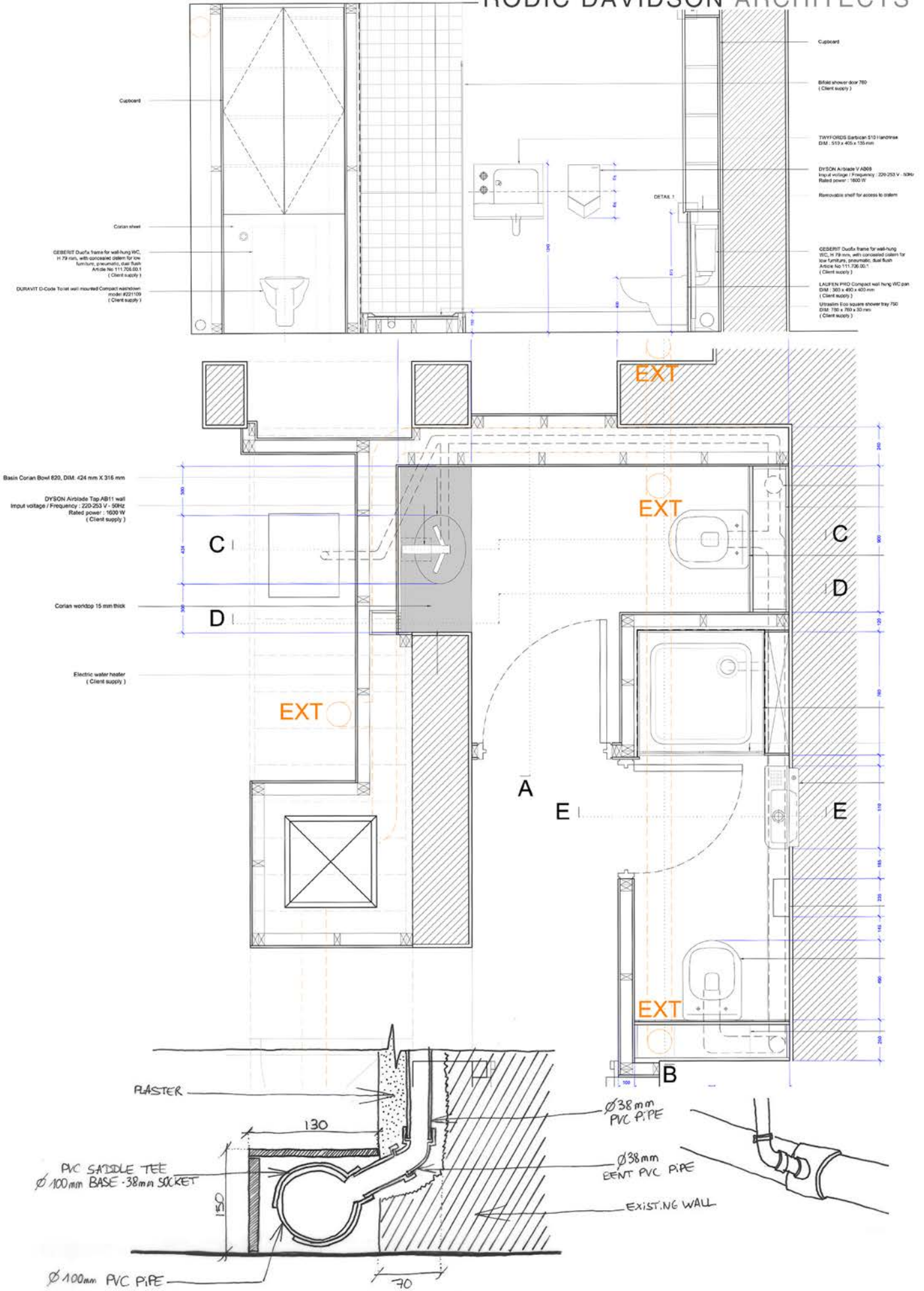


67 GREAT RUSSELL STREET
BALUSTRADES + HANDRAIL DETAILS.
05.08.13

67 GREAT RUSSELL STREET
BALUSTRADE AND HANDRAIL ELEVATION.
05.08.13



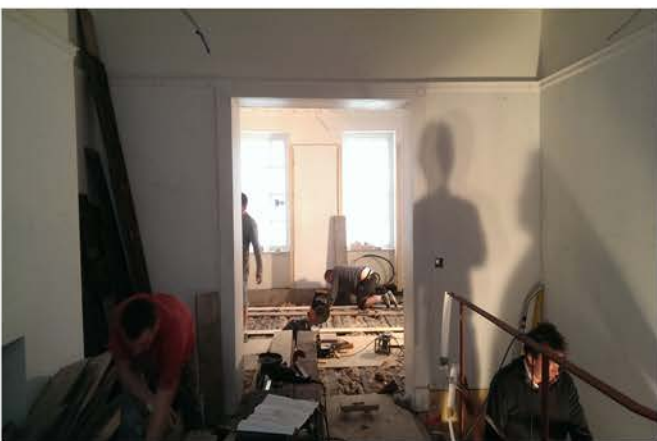




RODIĆ DAVIDSON ARCHITECTS



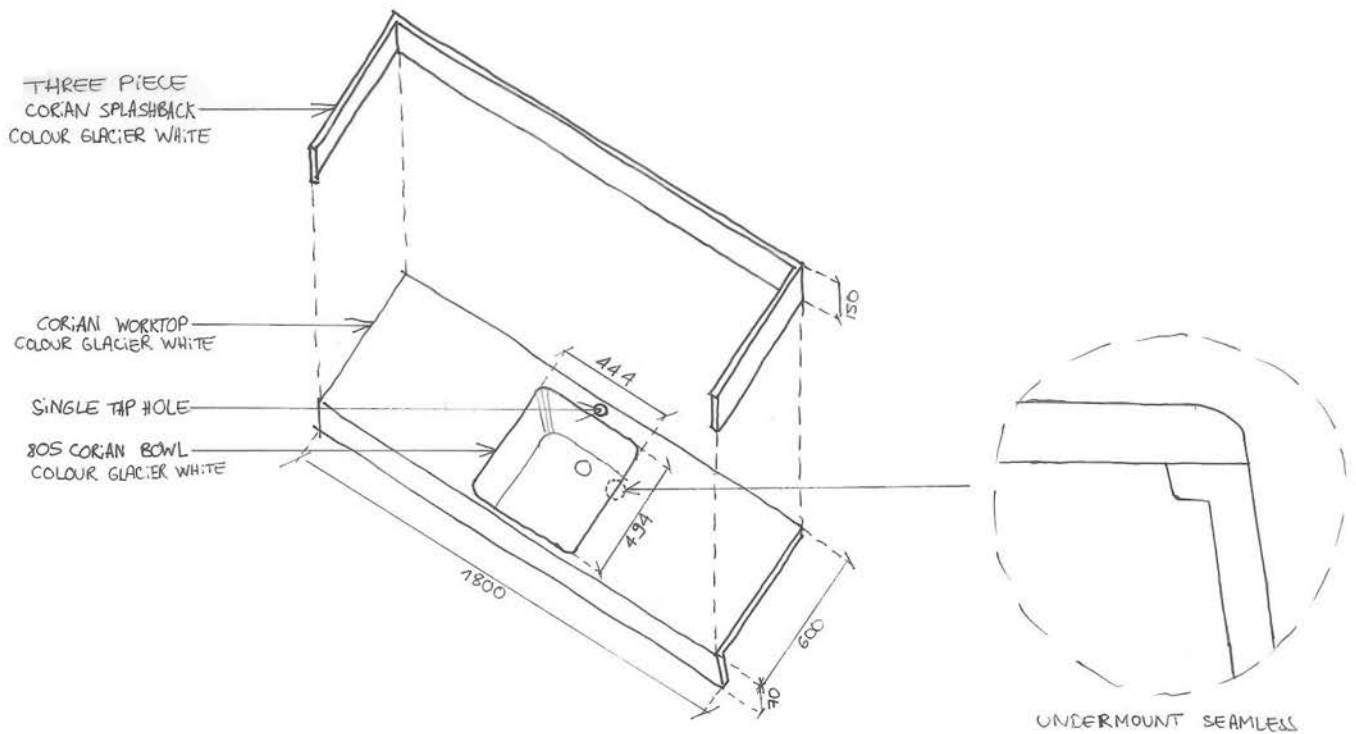
RODIĆ DAVIDSON ARCHITECTS





RODIĆ DAVIDSON ARCHITECTS





RODIĆ DAVIDSON ARCHITECTS





RODIĆ DAVIDSON ARCHITECTS

PIED BULL YARD

RODIĆ DAVIDSON ARCH

RODIĆ DAVIDSON ARCHITECTS



